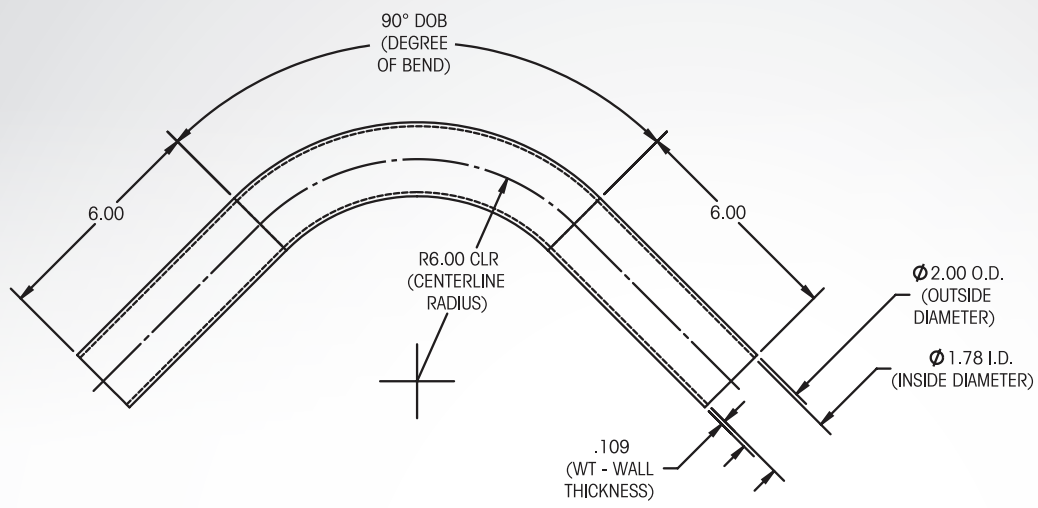


BEND DIE LIST



CMI Industrial has a variety of bend dies on hand to help keep tooling costs to a minimum.

If the desired size(s) are not listed here, CMI Industrial can accommodate tooling needs through the in-house machine shop.

		CLR																		
		1.25	1.50	1.75	1.87	2.00	2.50	3.00	3.50	3.75	4.00	4.50	5.00	5.25	5.37	6.00	7.50	7.75		
OD																			OD	
0.840						X													0.840	
1.000	X						X												1.000	
1.050				X					X										1.050	
1.125					X	X		X								X			1.125	
1.250		X																	1.250	
1.315							X					X							1.315	
1.375		X																	1.375	
1.500			X		X		X										X		1.500	
1.625							X										X		1.625	
1.750						X		X		X									1.750	
1.875						X													1.875	
1.900											X								1.900	
2.000					X	X	X		X	X					X			X	2.000	
2.125						X													2.125	
2.250									X										2.250	
2.375							X		X						X	X		X	2.375	
2.500						X	X		X	X	X					X			2.500	
2.750							X		X	X	X					X			2.750	
2.875									X										2.875	
3.000							X				X					X			3.000	
3.500										X	X								3.500	
4.000										X	X					X			4.000	
4.500											X					X	X		4.500	
5.000													X			X			5.000	
6.000																X			6.000	



ISO 9001: 2008 CERTIFIED

920-720-4225

cmi-industrial.com

Copyright 2020 © Custom Marine Inc.