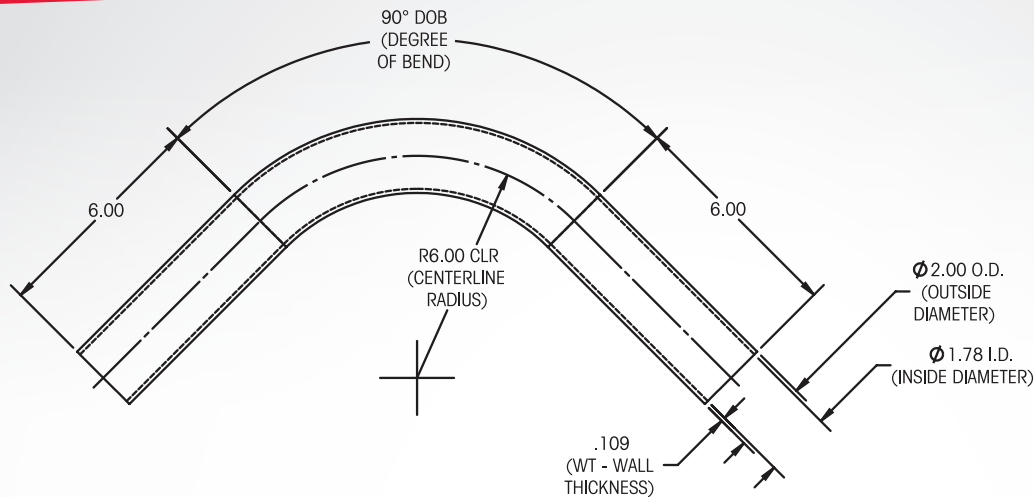


# BEND DIE LIST



CMI Industrial has a variety of bend dies on hand to help keep tooling costs to a minimum.

If the desired size(s) are not listed here, CMI Industrial can accommodate tooling needs through the in-house machine shop.

		CLR																	
		1.25	1.50	1.75	1.87	2.00	2.50	3.00	3.50	3.75	4.00	4.50	5.00	5.25	5.37	6.00	7.50	7.75	OD
OD																			OD
0.840																			0.840
1.000	X																		1.000
1.050																			1.050
1.125					X	X		X								X			1.125
1.250																			1.250
1.315								X					X						1.315
1.375																			1.375
1.500			X		X		X										X		1.500
1.625																			1.625
1.750						X		X											1.750
1.875																			1.875
1.900											X								1.900
2.000																			2.000
2.125						X													2.125
2.250																			2.250
2.375								X		X					X	X		X	2.375
2.500																			2.500
2.750								X		X	X	X							2.750
2.875																			2.875
3.000								X				X				X			3.000
3.500																			3.500
4.000											X	X				X			4.000
4.500																			4.500
5.000														X		X			5.000



ISO 9001: 2008 CERTIFIED

920-720-4225

[cmi-industrial.com](http://cmi-industrial.com)

Copyright 2015 © Custom Marine Inc.